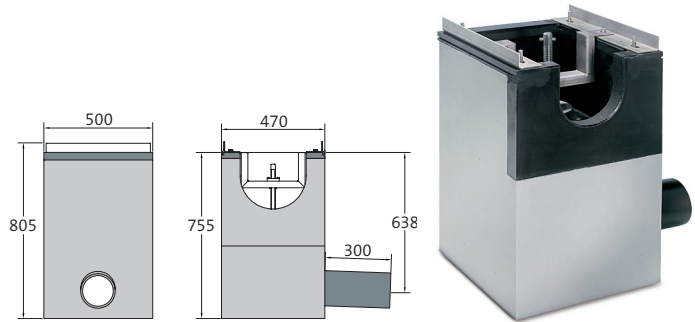


# BIRCOdicht | NW 150 – 300

Highest level of resistance against highly aggressive agents

## In-line outfall unit with shut-off device | 1-piece

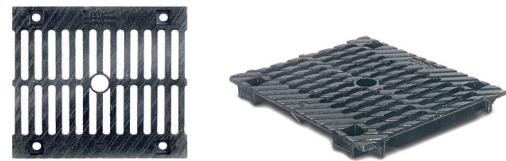
- + 1- or 2-sided channel connection (in the middle)
- + Manually operated valve flape DN 150
- + PEHD lining, PEHD edge coated
- + Pipe socket DA 160 - SDR 17 (length 300 mm)
- + Drain direction in accordance with the customer's wishes
- + Different drains available according to the customer's wishes
- + Changes to outfall unit heights possible
- + Structural variations in accordance with customer wishes
- + PP lining possible upon request



Description	Length	Width	Construction height with angle	Weight	Load class DIN EN 1433	Article No.
Shut-off outfall unit	500 mm	470 mm	805 mm	253.7 kg	A 15 – F 900	049309

## Slotted cast gratings | two-fold | with key bushing | for in-line outfall unit with shut-off device

- + With key bushing
- + Black immersion-lacquered or galvanised
- + Including 4-point M12/A2 per grating bolt connection



Description	Length	Width	Height	Weight	Inlet opening	Inlet cross section	Load class DIN EN 1433	Article No.
black	500 mm	437 mm	45 mm	32.4 kg	SW 125/20 mm	746 cm <sup>2</sup> /m	A 15 – F 900	049311

## Service key

- + For in-line outfall unit with shut-off device
- + For manual operation



Description	Weight	Article No.
Service key	3.4 kg	044303

With PP linings, all accessory parts are also made of PP.  
 Angles and slats must be ordered separately.  
 SW = slot width, MW = mesh width, article no. with v = galvanised  
 Exception up to D 400: Not for use across the carriage- way of highways or motorways.